

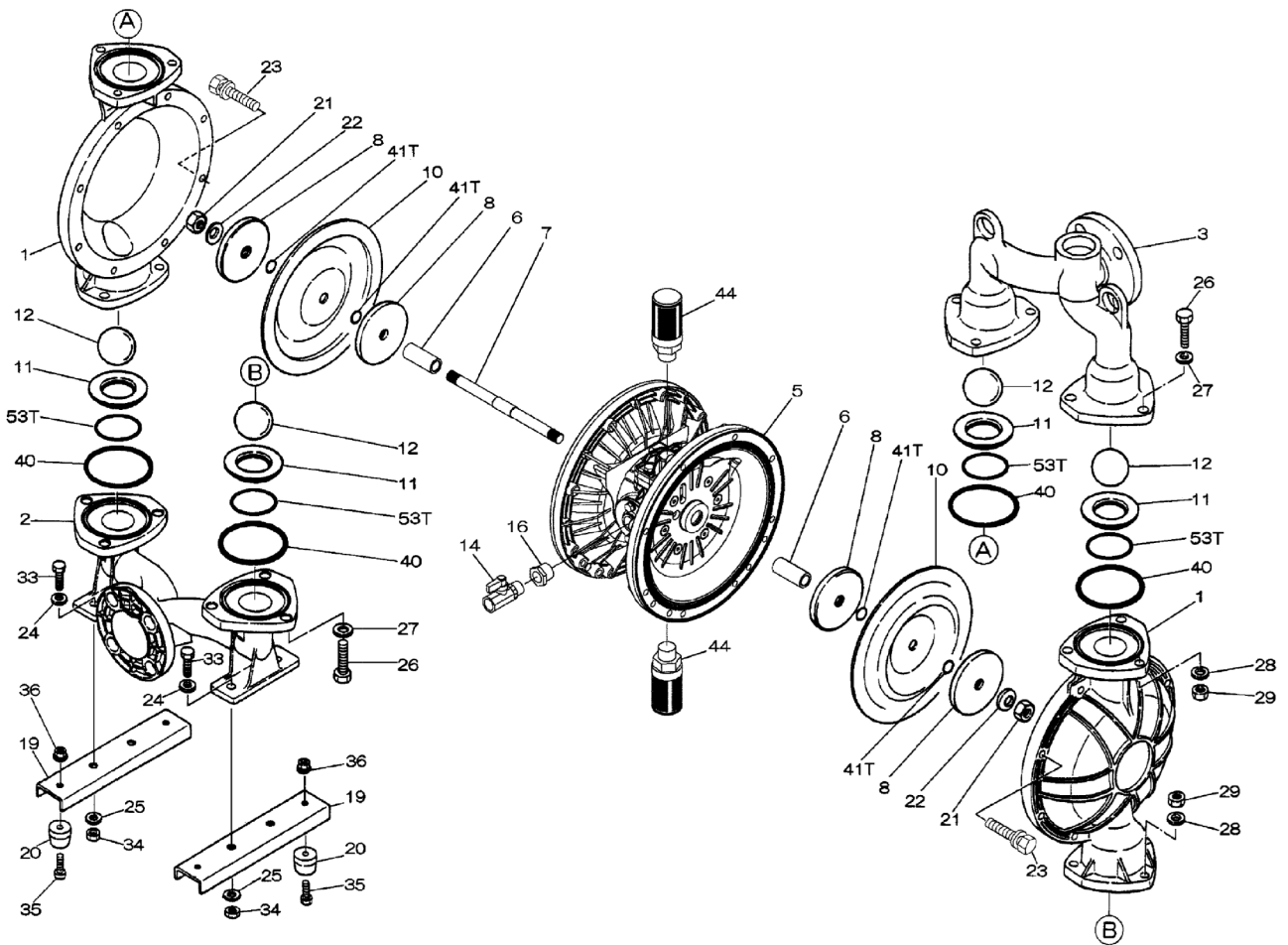
EXPLODED VIEW & PARTS LISTING

Model: DP-40BAT-HD (XDP)



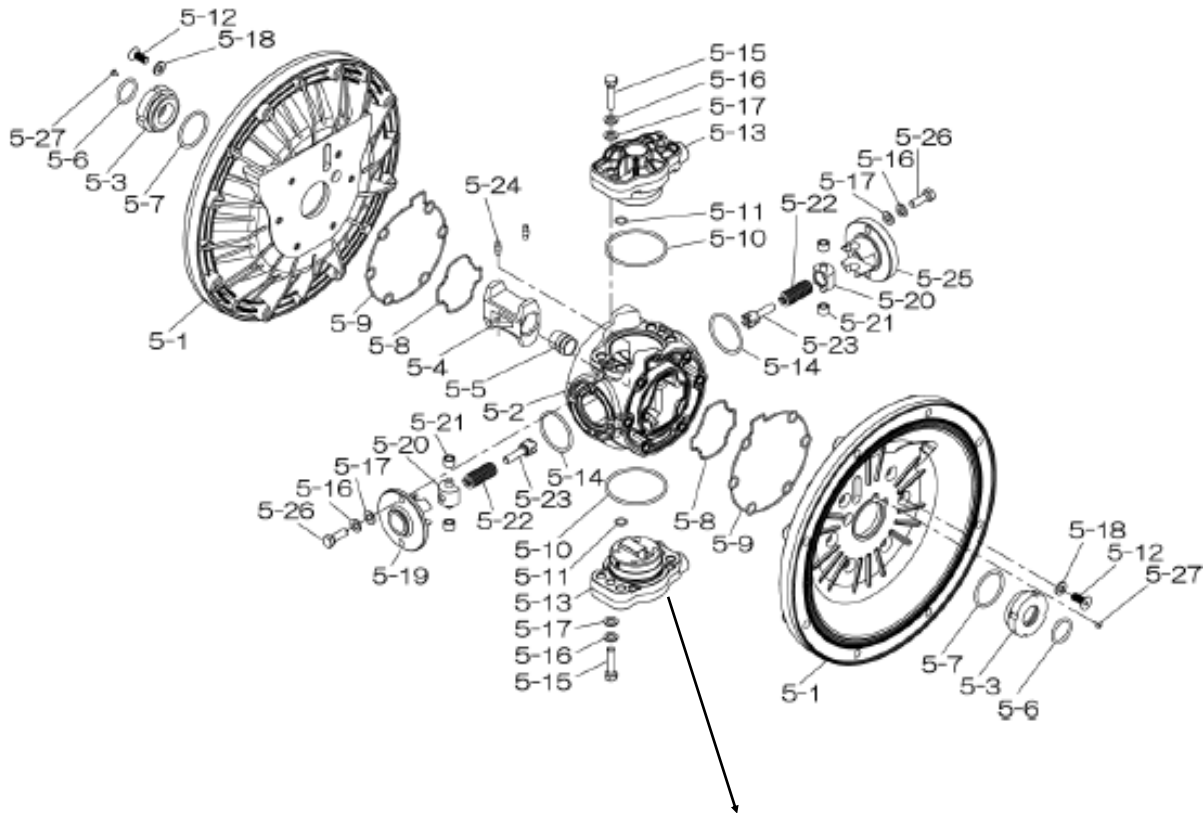
Part#: 854344

Air Operated Double Diaphragm Pump

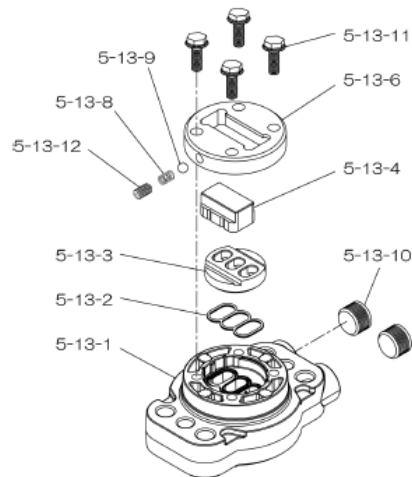


Air Operated Double Diaphragm Pump

804850 Center Body Assembly



804784 Valve Body Assembly

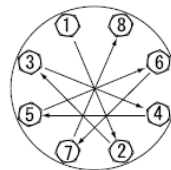


Air Operated Double Diaphragm Pump

REF. No.	PART No.	DESCRIPTION	QTY.	REORDER
1	580960	OUT CHAMBER 40AL	2	
2	714367	IN MANIFOLD 40AL NEW	1	
3	714361	OUT MANIFOLD 40AL NEW	1	
5	804850	CENTER BODY ASSY DP-40T-HD	1	
5- 1	716215	AIR CHAMBER	2	
5- 2	716256	BODY	1	
5- 3	773095	THROAT BEARING	2	
5- 4	716214	SHUTTLE (CS)	1	
5- 5	773047	CENTER ROD GUIDE	1	
5- 6	640023	O RING	2	
5- 7	640133	O RING	2	
5- 8	773040	GASKET	2	
5- 9	773041	GASKET	2	
5-10	640138	O RING	2	
5-11	640007	O RING	8	
5-12	683812	FLAT SOCKET	12	
5-13	804784	VALVE BODY ASSY	2	
5-13- 1	716244	VALVE BODY	1	
5-13- 2	773042	GASKET	1	
5-13- 3	716246	SEAT (CS)	1	
5-13- 4	773425	BLOCK	1	
5-13- 6	773426	GUIDE PLATE	1	
5-13- 8	706612	SPRING INK	1	
5-13- 9	686271	BALL	1	
5-13-10	772934	PLUG	2	
5-13-11	602300	TAPPING BOLT	4	
5-13-12	610025	HEX. SOCKET HEAD SCREW	1	
5-14	640134	O RING	2	
5-15	611153	BOLT	4	
5-16	631420	SPRING WASHER	8	
5-17	631013	WASHER FLAT	8	
5-18	684987	WASHER	12	
5-19	716249	RETAINER	1	
5-20	713620	SPRING GUIDE	2	
5-21	773067	BUSH	4	
5-22	686303	SPRING	2	
5-23	714446	TRIP ARM	2	
5-24	700231	PIN	2	
5-25	716216	RETAINER	1	
5-26	611149	BOLT	4	
5-27	686337	TAPPING SCREW	2	

REF. NO.	PART NO.	DESCRIPTION	QTY.	REORDER
6	716399	CENTER BUSH	2	
7	716404	CENTER ROD	1	
8	707817	CENTER DISK 40T INNER	4	
10	770814	DIAPHRAGM (PTFE) 40	2	
11	712382	VALVE SEAT 40AL	4	
12	770692	BALL 40T PTFE	4	
14	684321	BALL VALVE 1/2	1	
16	684339	BUSHING	1	
19	711911	BASE 40	2	
20	771402	FOOT RUBBER	4	
21	706128	NUT SS	2	
22	682740	WASHER M16 SS	2	
23	686162	BOLT	16	
24	631014	WASHER FLAT M10 ZINC	4	
25	631917	WAVE WASHER M10	20	
26	611203	BOLT ZINC	12	
27	631015	WASHER FLAT	12	
28	631918	WAVE WASHER	12	
29	627014	NUT ZINC	12	
33	611175	BOLT M10	4	
34	627013	NUT M10	4	
35	611149	BOLT	4	
36	682276	NUT W/ FLANGE	4	
40	643065	O RING	4	
41T	643015	O RING	4	
44	804697	MUFFLER	2	
53T	643136	O RING PTFE	4	
KIT	K40-MT	LIQUID SIDE		
KIT	K45-AM-DP-HD	AIR MOTOR		

Torque Requirements:



Tightening torque for center rod and out chambers.

Center Rod 43 ft-lbf {60 N-m}
Out Chambers 29 ft-lbf {40 N-m}

Tightening torque for manifold retainer bolts.

BAT 18 ft-lbf {25 N-m}

General Tools:

- Socket wrench - 24mm
- Hexagonal box wrench - 5mm, 6mm
- Open-end wrenches - 19mm, 24mm
- Phillips head screw driver

Special Tools:

- Socket (804129) for a guide to remove the throat bearing (sold separately)

Miscellaneous:

- Assembly Oil - Turbine oil none additional class 1 (equivalent to ISA VGA32 grade)
- Nuts - M16 x 1.5
- Thread locker
- Urea grease grade (NLGI) No. 2, Shell Alvania Grease S1

Customer Notes

Model #: _____
 Description: _____
 Serial #: _____
 Date Installed: _____
 Department Location: _____
 Tag/Project: _____